

FRONT VIEW
NON SECURE SIDE

NOTE:

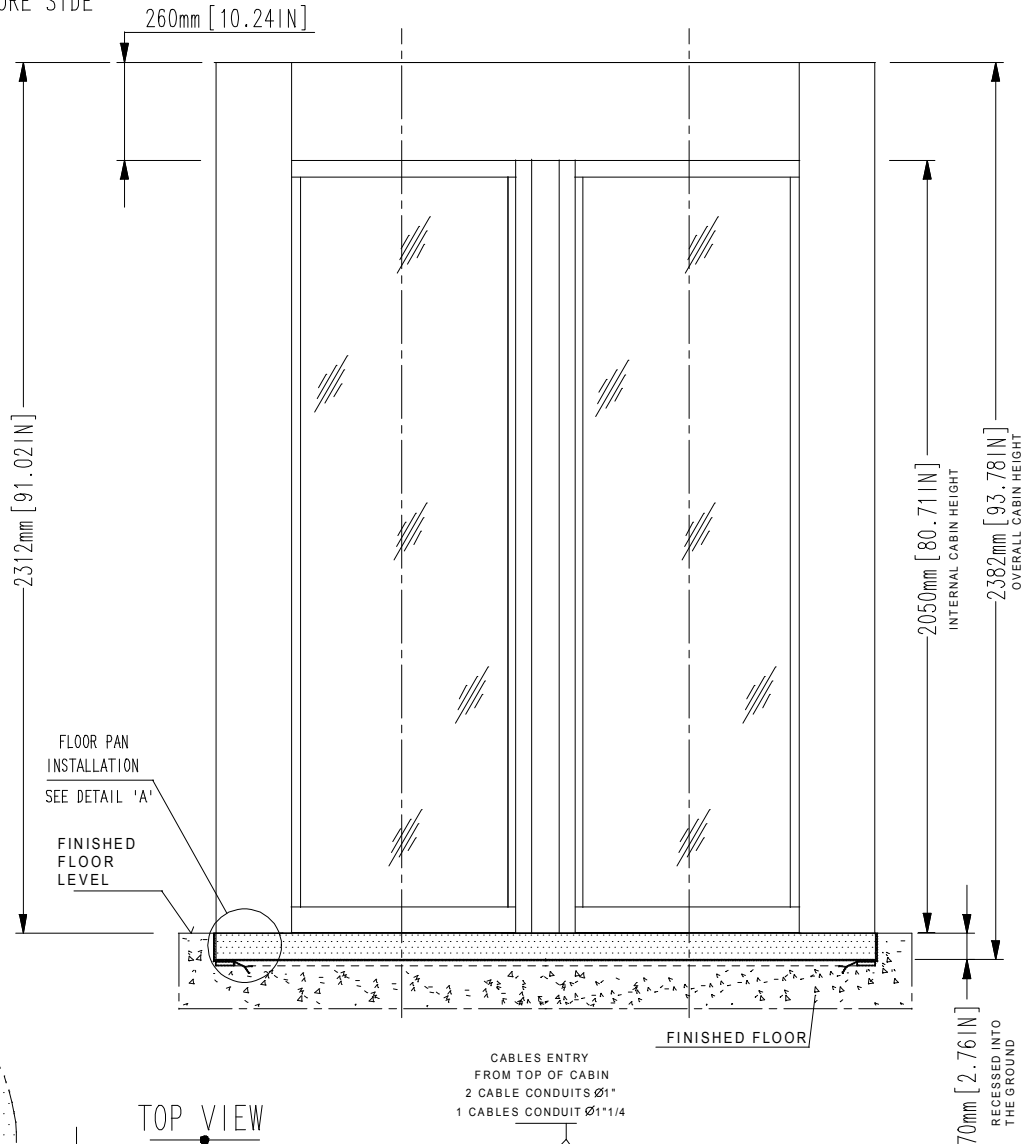
CONSTRUCTION TOLERANCES:

+10 mm OVERALL FOR WIDTH
+50 mm HEIGHT

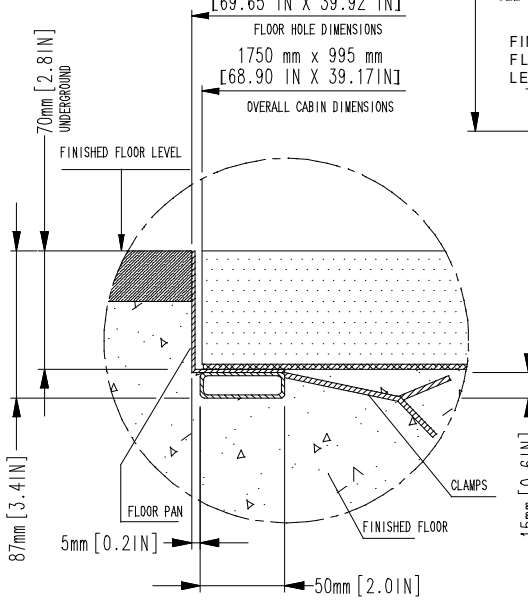
INSTALLATION REQUIREMENT

SPACE FOR MAINTENANCE
ABOVE TOP OF THE CABIN ON
THE INTERNAL SIDE:
-MIN. 300 mm [11.81"]
-RECOMMENDED 750 mm [29.53"]
-If space does not meet the required
specifications contact us to discuss
alternatives

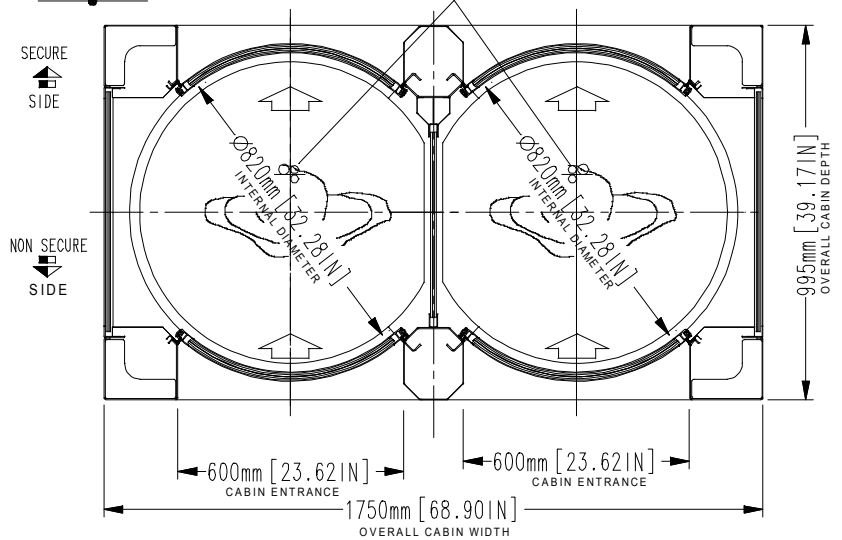
-Unit must be fixed into suitable frame
and finished by others



DETAIL "A"
FLOOR PAN DETAIL



TOP VIEW



NOTE:

- unit must be installed on to a level floor
(suggested flatness tolerance: ±1 mm)

- coating option: 2 mm thickness in
addition to size

REV	DATE	REVISION DESCRIPTION	DRAWN BY
DRAWN BY: L. BERTAZZO		DESIGNED AND MANUFACTURED BY:	DISTRIBUTED BY:
DATE: 07/12/2018		 designed for your security	
DRAWING NUMBER: EARC457			
REVISION: 0	TITLE/DESCRIPTION		Cabin recessed into the floor (ramp or floor pan required) Overall dimensions and mechanical installation requirement
SCALE: 1:20	E4-E4K MY16		
PAGE 1 OF 1			

THIS DOCUMENT IS AN ALLUSER INDUSTRIE PROPERTY AND IT CANNOT BE COPIED OR TRANSFERRED TO THIRD PARTIES WITHOUT A PREVIOUS WRITTEN AUTHORIZATION. DUE TO OUR POLICY OF CONTINUOUS PRODUCT DEVELOPMENT, ALL DIMENSIONS AND SPECIFICATIONS DESCRIBED IN THIS DOCUMENT ARE SUBJECT TO CHANGE WITHOUT NOTICE.