

*Unique patented modular solution.
Use it either with
your existing swing doors
or sliding doors.*

HPJ140

DIMENSIONS

Overall external depth:	35.04 in.
Internal width:	48.03 in.
Overall external width:	54.37 in.
Portal entrance:	35.43 in.
Internal Height:	80.63 in.
External Height:	91.34 in.

PORTAL WEIGHT GUIDELINE

Portal weight with different glass type (it may change upon portal configurations).

HPJ140 with P2A glass:	595.25 lb
HPJ140 with P4A glass:	661.4 lb
HPJ140 with P6B/BR3 glass:	1014.1 lb

POWER SUPPLY

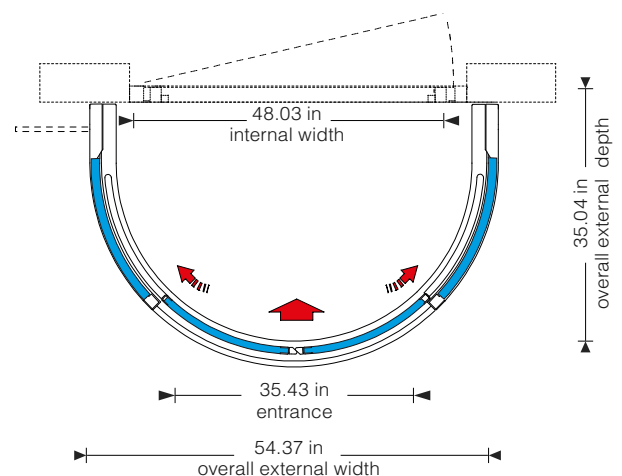
Input:	110/230 VAC (EMI Filter included)
Output:	13/24 Vdc, 5/7 A/hour
Average Power consumption:	35 watt (per hour of continuous operation)
Max Power Rating:	150 watt
Emergency Battery Back-up:	6-8 hours

MOTORS

Reversible motors with permanent magnet, working power of 24 Vdc, provided with an encoder for the continuous control of the door position. Doors are provided with electronic control of motor torque for door safety stop in presence of an obstacle.

AVAILABLE GLASSES

Type of glass	Glass certification
Vandal resistant.	P2A EN 356
Vandal resistant.	P4A EN 356
Attack resistant. Bullet resistant.	P6B EN 356 BR3 EN 1063



ALLUSER INDUSTRIE SRL

T. +39 0490991800
E. alluser@alluserindustrie.com
W. alluserindustrie.com

FEATURES

VERSIONS

- S version: welded portal structure with 2.76 in. floor base (recessed or surface mounted).
- R version: rail floor guide 0.47 in. base (surface mounted installation only).
- K version: cabin delivered to be assembled at the installation site.
- Portal Certificated Class 3 EN 1627-30:2000.
- Portal Certificated Class 3 EN 1627-30:2000.

DIRECTION

- Entrance Direction: Straight
- × Entrance Direction: 90 degrees Left
- × Entrance Direction: 90 degrees Right.
- × Entrance Direction: 45 degrees

OUTER FINISHING

- Outer Finishing: RAL colours (sliding door frames RAL 9005 - Black).
- Polished Steel
- Brushed Steel
- Aluminium

DETECTION DEVICES

- Infrared Presence Sensor.
- Pressure mat for presence person
- APD - Anti Piggybacking Device
- 2 zone contact mat
- Metal Detector
- Reed Door Position Tamper Sensor: EN 61000-6-3:2007+A1:2011, EN 50130-4:2011, EN50131-2-6:2008

STRUCTURE

- Certificated metal Top Canopy in accordance with FB2/NS EN 1522
- Certificated metal portal structure in accordance with FB4/NS EN 1522.
- Anti-slip floor mat EN13893. Fire reaction in accordance with Bfls1 N13501-1
- Extra glazing on the flat sliding door pocket structure
- Floor Pan (for S version only)

EXTENSIONS

- 79.92 in. Internal Portal Height.
- 84.06 in. Internal Portal Height.
- 90.55 in. Internal Portal Height.
- Portal length extension

SAFETY

- Infrared Safety Sensor.
- Fire Alarm Signal opens secure and/or non secure side.
- Rescue Push Button to open the portal door which last closed and safely exit the portal.
- Curved sliding Doors: Fail Safe

CONTROLLERS

- LED traffic light on secure and non secure side
- Standard Intercom (PPT - PushPerTalk) [from control panel to non secure side traffic light]
- Multi-function Control Panel for remote control of the Portal with 49.21 ft cable
- Service Mode Key switch: Local ON / OFF key switch selector and cleaning mode function.
- Additional Multi-function Control Panel for remote control of the Portal.
- Web lan control
- Emergency Door Control Panel (for emergency swing door management)

ELECTRONICS

- Alluser Interlocking Door System Control Motherboard with APS (Alluser Portal Software).
- Nominal power consumption 35 W.
- Emergency battery backup; 6-8 hrs, in standard configuration.
- Internal 24V DC LED Light. (warm white 3.000 K; life expectancy 50.000 h)
- Nominal 24 VDC 5A Power Supply, with Battery Backup Charger; Input 110-230VAC (EMI Filter included)

DOORS

- Bi-Parting (2 doors open on each side)
- Sliding Doors centre frame overlapping edge (to be used for BR glazing).
- × Both doors slide to open on the same side.
- Curved sliding Doors: Fail Secure

EMERGENCY UNLOCKING DEVICES

- Secure side mechanical emergency unlocking device.
- 90 degrees emergency lever
- extra emergency lever
- Manual Panic break out opening. In emergency, the automatic flat sliding doors can be opened by pushing them.

TOP & NIGHT

- Locked Top cover.
- Night Lock
- Fiberglass Rain Cap top cover
- First & Last Transit with 7 Mechanical Keys
- First-last transit, with 7 proxy keys